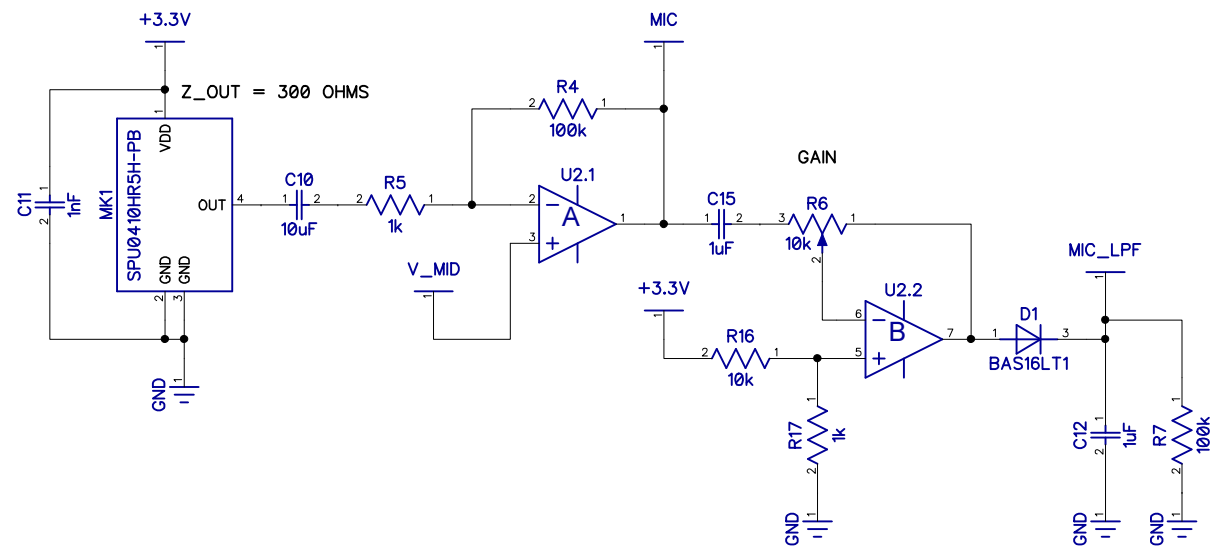
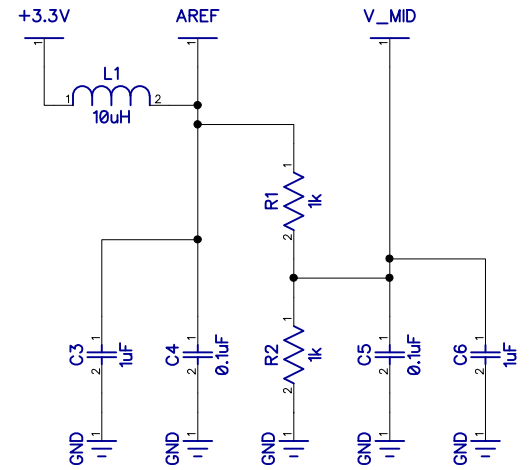


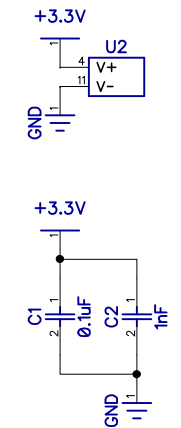
### MIC



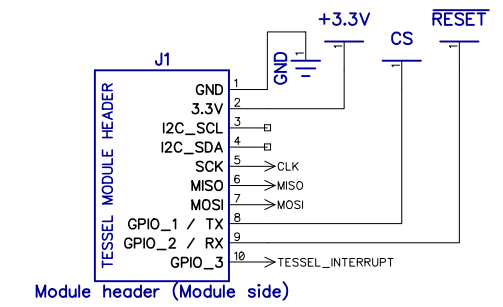
### REFERENCE VOLTAGES



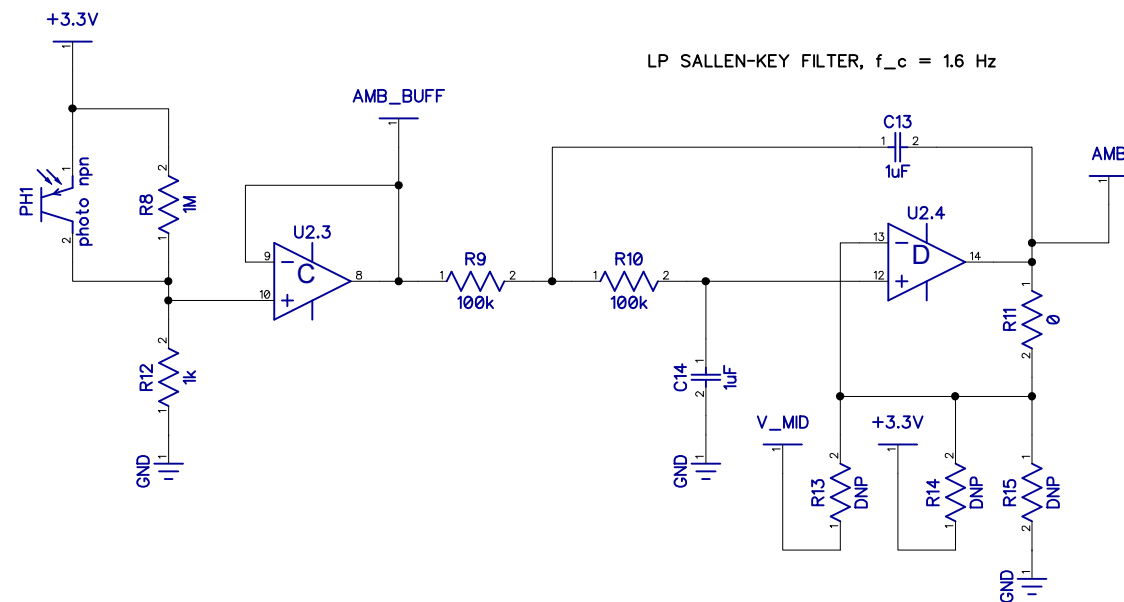
### OPAMP POWER



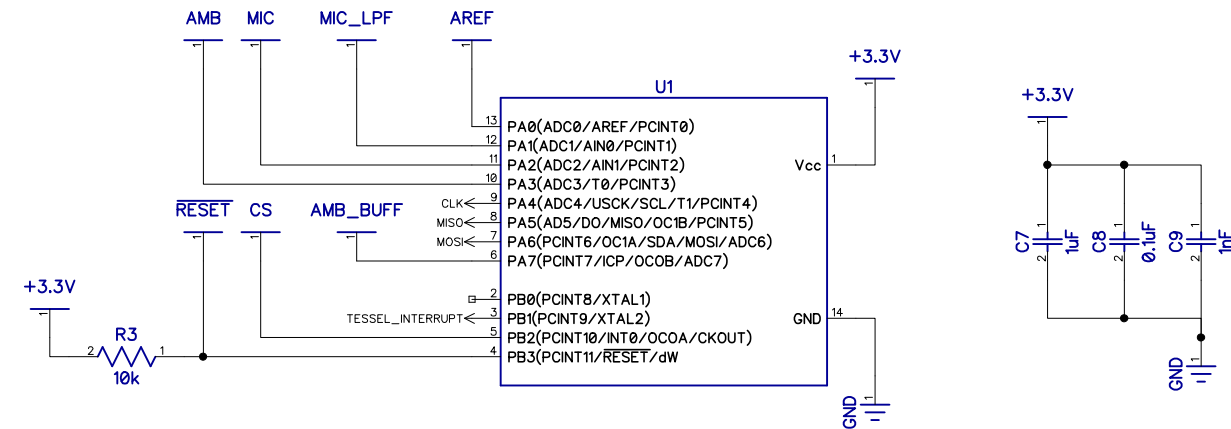
### MODULE HEADER



### AMBIENT LIGHT



### ATTINY



## Ambient Module

Copyright 2014 Technical Machine  
License: CC-BY-SA

## Sheet 1

TM-08-03.dch  
2014.06.05