

B

B

A

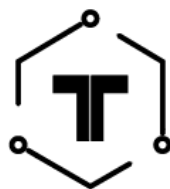
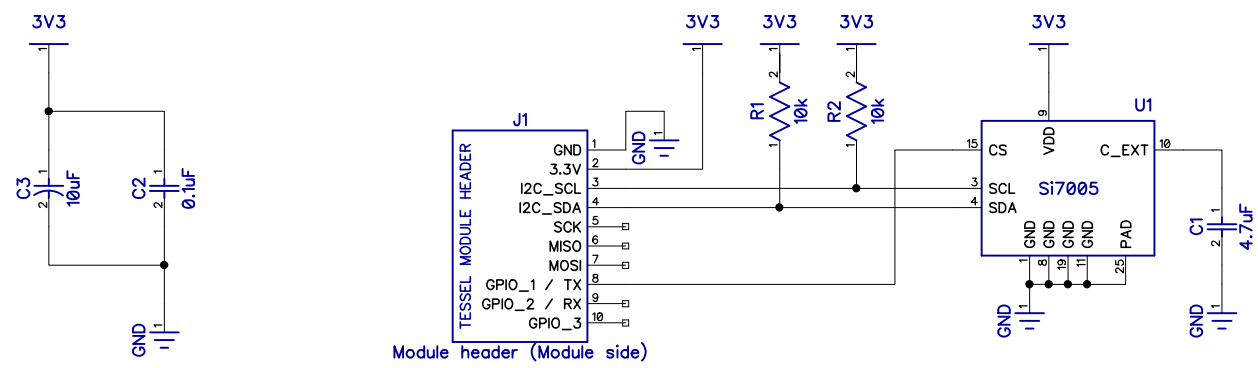
A

2

1

2

1



Climate Module

Copyright 2014 Technical Machine
License: CC-BY-SA

Sheet 1

TM-02-02.dch
2014.06.05