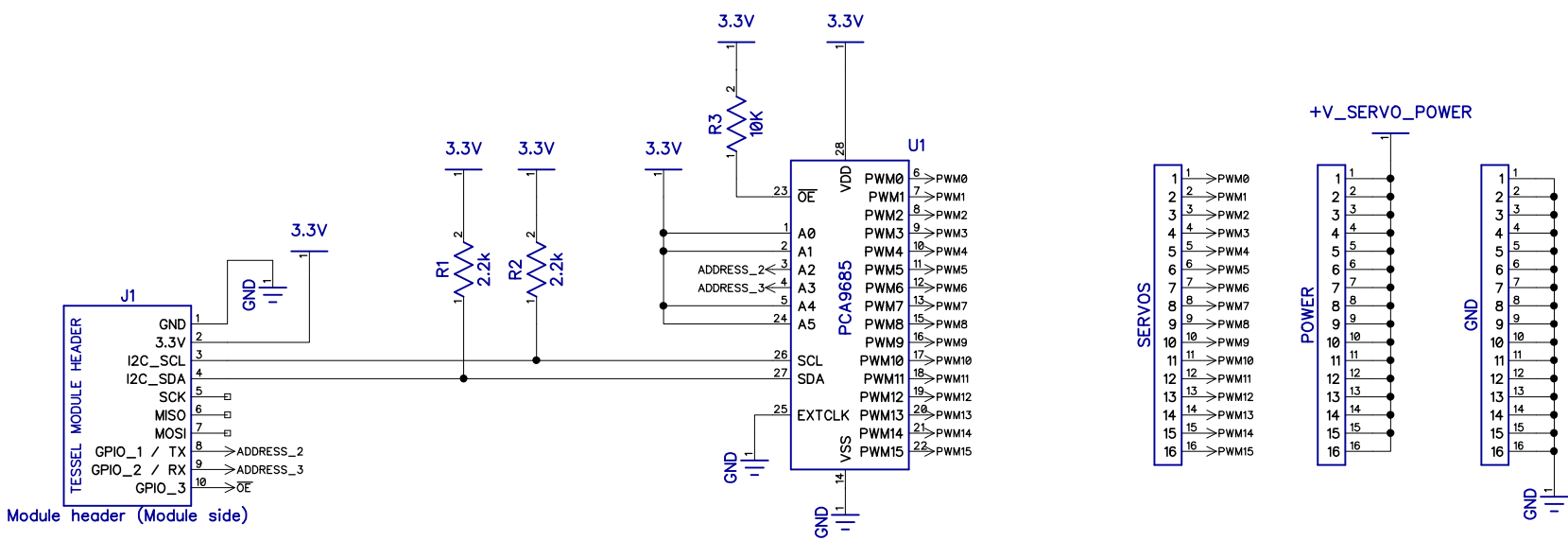


B

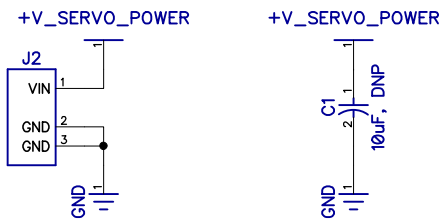
1

B



A

A



Servo Module

Copyright 2014 Technical Machine
License: CC-BY-SA

Sheet 1

TM-03-03.dch
2014.06.05

2

1